

HD1W

High-definition Wedge Camera

Capture Details Outside the Vehicle

This high-definition camera captures the finer details outside the vehicle supporting 720p resolution recording at the highest frame rates. Infrared illumination improves view in low-light conditions while the rugged IP-67 rated housing stands up in any weather condition.



Works with TH4, TH4C, DH4, DH4C, TH6, TH8, NH16K and NH16 Recorders

■ Superior Image Clarity

Capture high-definition images in up to 720p resolution outside the bus.

■ Easy to install

Simple plug 'n play installation with no complicated programming.

■ Durable & Vandal-resistant

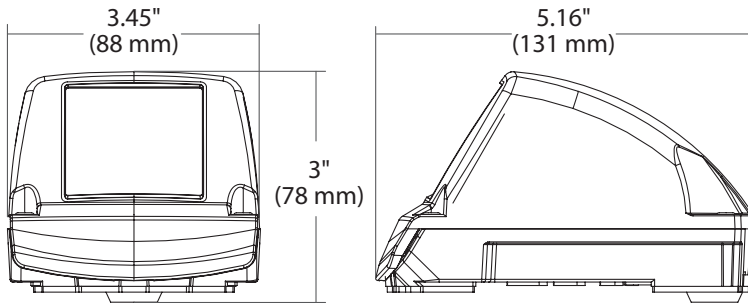
IP67-rated aluminum housing stands up in severe weather conditions.

Key Features

- 720p progressive scan resolution
- Supports True Day/Night operation in addition to anti-glare protection and scratch resistant camera window
- Supports infrared illumination for low light conditions
- Select back light compensation or wide dynamic range settings
- Local video output connector for quick set up and camera aiming
- Rugged, IP67 weather-proof and vandal resistant metal housing
- Standard mounting base for traditional side of bus or mounting post available for forward facing applications

HD1W

High-definition Wedge Camera



Mechanical/General	
Enclosure Material	Solid aluminum alloy, powder coated
Viewing Window	Impact-resistant polycarbonate, scratch-resistant UV protected
Mounting Options	Surface or mounting post
Wiring Options	20'(6m), 50'(15m), 75'(23m)
Gimbal	Rotate: 360°, Pan: 7.5°, Tilt: 10 ~ 37.5°
Dimensions (WxLxH)	3.45 x 5.16 x 3" (88 x 131 x 78 mm)
Weight	1.22lb (554g)
Electrical	
Resolution	1280x720 (720p), 16:9 aspect ratio
Camera Sensitivity	0.7 lux at F2.0, 0 lux IR on at TDN (B/W), 0 lux (IR on)
Backlight Compensation (BLC)	On/off
Wide Dynamic Range (WDR)	
IR	4 LEDs - On/off, 50ft distance
Power Consumption	5.2 W (max.)
Voltage Range	9 to 14 VDC (powered by DVR)
Transient Protection	1.5 kW
Environmental	
Environmental Rating	IP67
Operating Temperature	-40 to 122°F (-40 to 50°C)
Approvals	
Emissions	FCC

Available Lenses				
Code	Size (mm)	F-stop	Viewing Angle (v)	Viewing Angle (h)
03	2.8	F2.0	56°	99°
04	3.6	F2.0	42°	77°
06	6.0	F2.0	26°	47°
16	16.0	F2.5	10°	17°
25	25.0	F2.5	6°	11°

1002-HD1W-SS-ST-081121

Copyright ©2021 Safe Fleet and its subsidiaries. All rights reserved. No part of this publication may be reproduced by any means without written permission from Safe Fleet. The information in this publication is believed to be accurate. However, Safe Fleet does not make any representation or warranty to that effect and does not assume responsibility for any consequences resulting from use of such information. Revisions or new editions of the publication may be issued (or not issued) in our discretion to incorporate such changes.

1.877.630.7366
safefleet.net

SAFE FLEET
Driving Safety Forward™