

Safe Fleet School Bus Roof Hatches

NEW
ADVANTAGE
HATCH

See inside for details

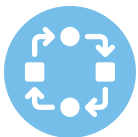
Ventilator and Emergency Escape Hatches



Enhance student safety and comfort with a hatch from the leader in bus safety equipment.



Safe Fleet roof hatches demonstrate over 40 years of proven performance and come in a wide variety of styles and configurations. Hatches are also customizable to meet your specific application needs. Each hatch features a low-profile design and meets all FMVSS and CMVSS regulations.



Adaptable

Low profile design adapts to wide range of roof surfaces



High Strength

Constructed of high strength UV stable materials



Made in the USA

Proudly manufactured in North Carolina with over 40 years of proven performance



Warranty

5 Year Manufacturer Warranty

SAFE  FLEET

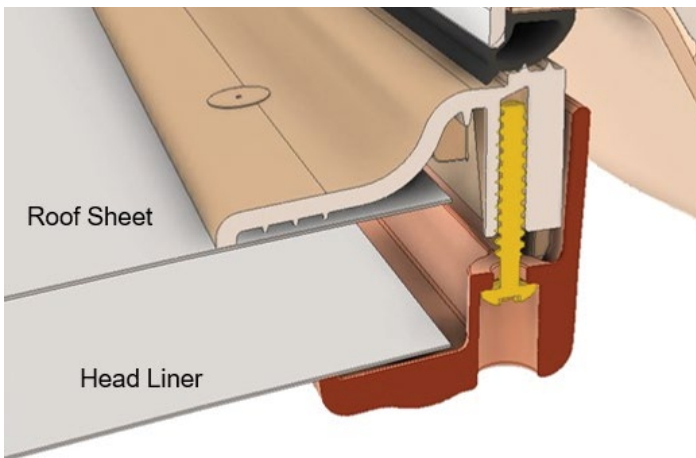
Driving Safety Forward™

Ventilator and Emergency Escape Hatches

New Advantage Hatch

The Advantage Hatch escape hatch and ventilator features intuitive operation and advanced design for overall ease-of-use and improved functionality. The ergonomic handle, operates in one easily determined direction and the self-aligning latch mechanism makes for improved sealing.

- Internal clamping eliminates external fasteners and potential leak points
- Self-aligning latch
- Larger hand grabs for easy closing from vented position
- Low-Profile
- Improved sealing
- Direct replacement for Transpec and Prolo models
- Meets FMVSS and CMVSS Standards as well as the D250 Standard for Canadian school buses





Triple Value Safety Vent

The Triple Value Safety Vent is a combination roof ventilator/emergency exit that provides 5-position fresh air ventilation and incorporates a built-in, non-closeable static exhaust vent. The product also includes a simple release handle that allows the hatch to hinge open for emergency exit.



- Interchangeable with earlier Transpec and Proto models
- Available in various radiuses to fit all roof curvatures
- Constructed with high-strength UV stable materials
- Meets FMVSS and CMVSS Standards as well as the D250 Standard for Canadian school buses



Power Safety Vent

The Powered Safety Vent is a combination roof ventilator/emergency exit that provides 5-position, fresh air ventilation and an electric fan for extracting condensation, stale or hot air from inside the vehicle to improve passenger comfort. The hatch also features a simple release handle for emergency exit.



- Multi-position fresh air vent
- Emergency exit
- High-capacity powered exhaust fan provides ventilation when the hatch is in the closed position

Safe Fleet Ventilator and Emergency Escape Hatch Comparison Chart

	COLORS	REFLECTIVE STRIPING	ADHESIVE SEALANT	HATCH AJAR ALARM	STATIC VENT	MULTILINGUAL DECALS	VANDAL-PROOF LOCK
MODEL	STANDARD FEATURE & OPTIONS						
Advantage Hatch	White/Light Gray	●	●	●	Coming Soon	●	●
Triple Value Safety Vent	White/Light Gray	●	●	●	●	●	●
Powered Safety Vent	White/Light Gray	●	●	●	●	●	●

● Standard ● Optional



1258-SF-Hatch-BR-SB-110421

Copyright ©2021 Safe Fleet and its subsidiaries. All rights reserved. No part of this publication may be reproduced by any means without written permission from Safe Fleet. The information in this publication is believed to be accurate. However, Safe Fleet does not make any representation or warranty to that effect and does not assume responsibility for any consequences resulting from use of such information. Revisions or new editions of the publication may be issued (or not issued) in our discretion to incorporate such changes.