

# RVC400 Camera

## Rear Vision Camera

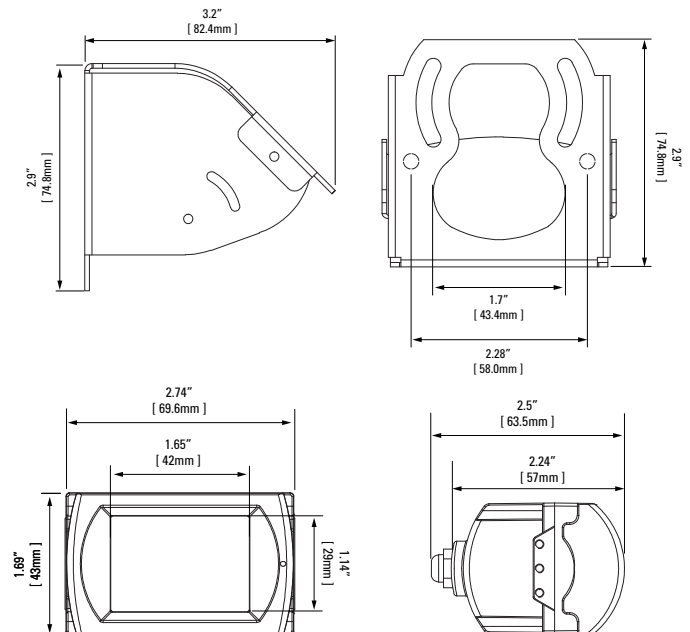
When paired with a driver-assist monitor, this camera can aid in preventing costly reverse-operation collisions. Infrared LED's also help capture footage in the most challenging lighting conditions.

The one-piece mounting bracket allows the camera to be set for an optimum viewing angle, while also providing camera protection.



System	
Enclosure Material	Die Casting Zinc Alloys
Dimensions without Bracket (WxLxH)	2.5 x 2.74 x 1.69" (63.5 x 69.6 x 43 mm)
Dimensions with Bracket (WxLxH)	2.94 x 3.03 x 3.24" (74.8 x 77 x 82.4 mm)
Weight without Bracket	0.81 lbs (367g)
Weight with Bracket	1.28 lbs (581g)
Optical	
Image Sensor	1/3" CCD w/IR LED
Horizontal Resolution	620 TV Lines
Horizontal Viewing Angle	130°
Lens Size	2.5mm
Electrical	
Infrared (IR) LEDs	18
IR Distance	50 Feet
IR Minimum Illumination	0 Lux (IR On)
S/N Ratio	More than 48dB
Voltage Range	DC12V (+/- 10%)
Environmental	
Environmental Rating	IP69K
Operating Temperature	-40 to 158°F (-40 to 70°C)
Ordering Information	
RVC400	Rear Vision Outdoor Camera and bracket, with Mil-Spec connector and Mil-Spec to Micro-Fit Adapter
RVC400E75	RVC400 Camera with 75 ft. harness

Bracket - Dimensional Diagram



Camera - Dimensional Diagram

1236-RVC400-SS-ST-083021

Copyright ©2021 Safe Fleet and its subsidiaries. All rights reserved. No part of this publication may be reproduced by any means without written permission from Safe Fleet. The information in this publication is believed to be accurate. However, Safe Fleet does not make any representation or warranty to that effect and does not assume responsibility for any consequences resulting from use of such information. Revisions or new editions of the publication may be issued (or not issued) in our discretion to incorporate such changes.

1.877.630.7366  
safefleet.net

SAFE FLEET  
Driving Safety Forward™