

HD3W & HD3S

EI2 Series | High-Definition Outdoor Wedge Camera

Capture Finer Details Outside the Vehicle

This high-definition camera captures the finer details outside the vehicle, supporting 1080p resolution recording at the highest frame rates. Infrared illumination improves the view in low-light conditions, while the rugged IP-67 rated housing stands up in any weather condition.



Works with TH6, TH8, DH-Series and NH-Series Recorders

■ Superior Image Clarity

Capture high-definition images in up to 1080p resolution outside the bus.

■ Easy to Install

Simple plug'n play installation with no complicated programming.

■ Durable & Vandal-Resistant

IP67-rated aluminum housing stands up in severe weather conditions.

■ Reliable Performance (Stop Arm Violations)

Optimized imaging captures license plate information with precision and clarity ** (HD3S model).

Key Features



1080p progressive scan resolution



Supports True Day/Night operation in addition to anti-glare protection and scratch resistant camera window



Supports infrared illumination for low light conditions



Select back light compensation or wide dynamic range settings



Local video output connector for quick set up and camera aiming



Rugged, IP67 weather-proof and IK10 impact resistant metal housing



Standard mounting base for traditional side of bus or mounting post available for forward facing applications



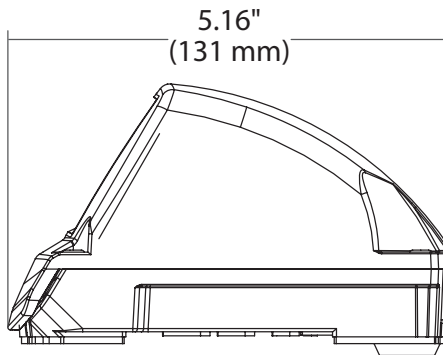
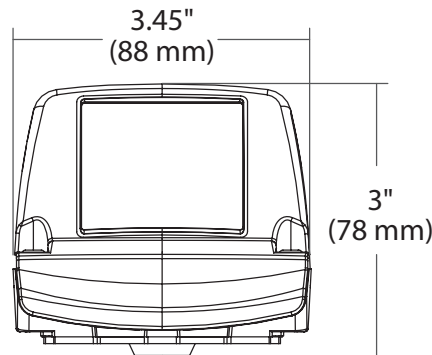
Optimized imaging for capturing stop arm violations (HD3S model)

1.877.630.7366
safefleet.net

SAFE  FLEET
Driving Safety Forward™

HD3W & HD3S

EI2 Series | High-Definition Outdoor Wedge Camera



Mechanical/General	
Enclosure Material	Solid aluminum alloy
Viewing Window	Impact-resistant polycarbonate, scratch-resistant UV protected
Mounting Options	Surface or mounting post
Wiring Options	20'(6m), 50'(15m), 75'(23m)
Gimbal	Rotate: 360°, Pan: 7.5°, Tilt: 10 ~ 37.5°
Dimensions (WxLxH)	3.45 x 5.16 x 3" (88 x 131 x 78 mm)
Weight	1.22lb (554g)
Electrical	
Main Stream Resolution	1080p
Camera Sensitivity	0.7 lux at F2.0, 0 lux IR on at TDN (B/W), 0 lux (IR on)
Backlight Compensation (BLC)	On/off
Wide Dynamic Range (WDR)	
IR	4 LEDs - On/off, 50ft distance
Power Consumption	5.2 W (max.)
Voltage Range	9 to 14 VDC (powered by DVR)
Transient Protection	1.5 kW
Environmental	
Environmental Rating	IP67
Operating Temperature	-40 to 122°F (-40 to 50°C)
Impact Rating	IK10
Approvals	
Emissions	FCC

Available Lenses (HD3WxxEI2 and HD3SxxEI2 Series)				
Code	Size (mm)	F-stop	Viewing Angle (v)	Viewing Angle (h)
03*	2.8	F2.0	61°	114°
04*	3.6	F2.0	45°	87°
06	6.0	F2.0	29°	54°
16	16.0	F2.5	10°	18°

* not available with HD3S model

1377-HD3W-HD3S-EI2-SS-ST-060723

Copyright ©2023 Safe Fleet and its subsidiaries. All rights reserved. No part of this publication may be reproduced by any means without written permission from Safe Fleet. The information in this publication is believed to be accurate. However, Safe Fleet does not make any representation or warranty to that effect and does not assume responsibility for any consequences resulting from use of such information. Revisions or new editions of the publication may be issued (or not issued) in our discretion to incorporate such changes.

1.877.630.7366
safefleet.net

SAFE FLEET
Driving Safety Forward™