

# HD3Q

## High-Definition, Multi-Mode, Interior Dome Camera

### Multi-Mode, Low-Profile Dome Camera

Obtain detailed images in various lighting scenarios at full HD resolution or maintain backward compatibility with legacy systems via Standard Definition Analog (SDA) mode. Both are possible with Multi-Mode Technology in this versatile, high-performing camera.



Works with legacy and high-definition recorders; mode dependent.

### Multi-Mode Adapts to You

AHD mode captures video in full high-definition (1080p) for the most detailed images. SDA mode supports legacy standard definition analog systems.

### Smaller Footprint

The low-profile dome housing allows for more discreet placement to better blend with vehicle decor.

### Sharper Images even in low light

Capture high-definition images in 1080p resolution with infrared LED, WDR and back light compensation for challenging light conditions.

### Easy to Install

Simple plug 'n play installation with no complicated programming.

### Key Features



Multi-Mode for 1080p or standard resolution



Infrared LEDs to see in low light



Low-profile, vandal-resistant housing



True Day/Night Operation



High-fidelity audio



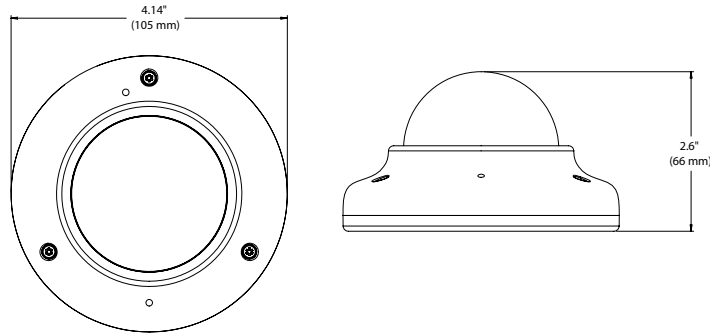
WDR/back-light compensation improves image quality in high contrast conditions

1.877.630.7366  
safefleet.net

SAFE  FLEET  
Driving Safety Forward™

# HD3Q

## High-Definition, Multi-Mode, Interior Dome Camera



### Mechanical

<b>Enclosure Material</b>	Die-cast Aluminum (Powder-Coated)
<b>Viewing Window</b>	Impact Resistant Polycarbonate
<b>Gimbal</b>	Rotate: 360°, Pan: 360°, Tilt: 70°
<b>Dimensions</b>	Height 2.6" (66 mm); Diameter 4.14" (105 mm)
<b>Weight</b>	294g

### Optical

<b>Image sensor</b>	1/2.8" CMOS 2MP (1080P)
<b>True Day/Night</b>	IR cut filter
<b>Shutter speed</b>	1/30 ~ 1/50,000
<b>Resolution</b>	AHD Mode: 1080p (1920x1080) SDA Mode: 500 TVL Equivalent

### Electrical

<b>S/N ratio</b>	46dB
<b>Camera Sensitivity</b>	0.1 Lux (F2.0) at Color 0 Lux (with IR) at TDN (B/W)
<b>Backlight Compensation</b>	WDR/BLC/Off DVR OSD MENU
<b>IR</b>	2 LEDs (On/off by DVR OSD MENU), 30ft distance
<b>Power Consumption</b>	IR Off = 1.8 Watts IR On = 2.5 Watts
<b>Voltage Range</b>	9 to 14 VDC
<b>Transient Protection</b>	1.5 kW
<b>Environmental</b>	
<b>Environmental Rating</b>	IP64
<b>Operating Temperature</b>	-4 to 122°F (-20 to 50°C)

### Available Lenses

Focal length	F-stop	H / V / D angle
2.8mm	F1.8	115/62/129
3.6 mm	F2.0	82/44/92
6.0mm	F2.0	51/29/58

### Ordering Information

Model	Description
HD3QxxA2SDA	Interior Dome, Audio, IR Disabled, SDA Mode
HD3QxxAI2SDA	Interior Dome, Audio, IR Enabled, SDA Mode

### Notes:

- xx = Lens options (03 = 2.8mm, 04 = 3.6mm, 06 = 6mm)
- SDA = Camera set to Standard Definition Analog mode
- Consult Quick Install Guide to change camera from SDA to HD mode.

1307-HD3QMM-SS-ST-092322

Copyright ©2021 Safe Fleet and its subsidiaries. All rights reserved. No part of this publication may be reproduced by any means without written permission from Safe Fleet. The information in this publication is believed to be accurate. However, Safe Fleet does not make any representation or warranty to that effect and does not assume responsibility for any consequences resulting from use of such information. Revisions or new editions of the publication may be issued (or not issued) in our discretion to incorporate such changes.

1.877.630.7366  
safefleet.net

SAFE FLEET  
Driving Safety Forward™