

CA10

Outdoor Wedge Series Camera

Durable, Versatile, and Rugged Exterior Wedge

A high resolution camera, designed for exterior vehicle surveillance, the outdoor CA10 Wedge is durable and versatile with a rugged, vandal-resistant housing that is both dust and weather-proof.



True Day/Night Capability

For unsurpassed daytime and nighttime picture quality.

Ensure Image Clarity

Provides anti-glare protection and scratch resistance.

Durable & Vandal-resistant

IP67-rated aluminum housing stands up in severe weather conditions.

Key Features



Available in 2.9, 3.6, 6.0, 16.0, and 25 mm lens for wide-angle to telephoto coverage



Supports infrared illumination for improved night vision



Selectable BLC and WDR to optimize camera performance in complex lighting conditions



Local video out connector for quick set up and camera aiming



Features a 360° rotating gimbal for vertical and angular mounting



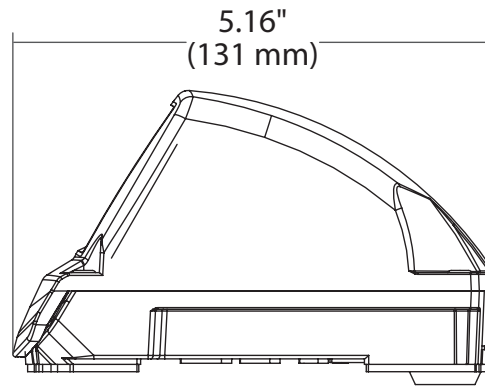
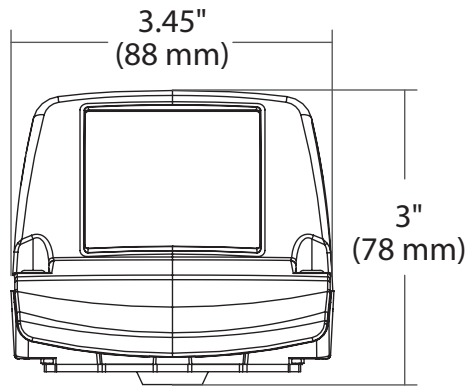
Mounting post available

1.877.630.7366
safefleet.net

SAFE  FLEET
Driving Safety Forward™

CA10

Outdoor Wedge Series Camera



Available Lenses

Code	Size (mm)	F-stop	Viewing Angle (v)	Viewing Angle (h)
03	2.9	F2.0	66°	88°
04	3.6	F2.0	56°	77°
06	6.0	F2.0	30°	40°
16	16.0	F2.5	13°	17°
25	25.0	F2.5	8°	11°

Mechanical/General

Enclosure Material	Solid aluminum alloy, powder coated
Viewing Window	Impact-resistant polycarbonate, scratch-resistant UV protected
Mounting Options	Ceiling- or wall-mount
Wiring Options	20'(6m), 50'(15m), 75'(23m)
Gimbal	Rotate: 360°, Pan: 15.0°, Tilt: 10 ~ 37.5°
Dimensions (WxLxH)	3.45 x 5.16 x 3" (88 x 131 x 78 mm)
Weight	1.22lb (554g)

Electrical

Horizontal Resolution	700 TV Lines
Camera Sensitivity	0.061 lux at F2.0 0 lux (IR on)
Backlight Compensation (BLC)	On/off
Wide Dynamic Range (WDR)	On/off
IR	4 LEDs - On/off
Heater	Yes
Power Consumption	6 W (max.)
Voltage Range	9 to 14 VDC (powered by DVR)
Transient Protection	1.5 kW

Environmental

Environmental Rating	IP67
Operating Temperature	-40 to 140°F (-40 to 60°C)

Approvals

Emissions	FCC
------------------	-----

1230-CA10-SS-ST-082321

Copyright ©2021 Safe Fleet and its subsidiaries. All rights reserved. No part of this publication may be reproduced by any means without written permission from Safe Fleet. The information in this publication is believed to be accurate. However, Safe Fleet does not make any representation or warranty to that effect and does not assume responsibility for any consequences resulting from use of such information. Revisions or new editions of the publication may be issued (or not issued) in our discretion to incorporate such changes.

1.877.630.7366
safefleet.net

SAFE FLEET
Driving Safety Forward™