

# C8WL1PD08E Series

## Exterior License Plate Detection Camera

The C8WL1PD Exterior License Plate Detection Camera is used in a complete system to supplement evidence for Stop Arm violations in School Bus environments. It's also used in the Safe Fleet ClearLane (ABLE) solution to supplement evidence for lane infractions, assisted by Transit Buses. It delivers clear, crisp, high-definition images, in up 4K (Ultra High Definition) resolution. Preset customized settings and IR LED's ensure reliable evidence capture for a wide range of scenes.



### Key Features



4K Resolution



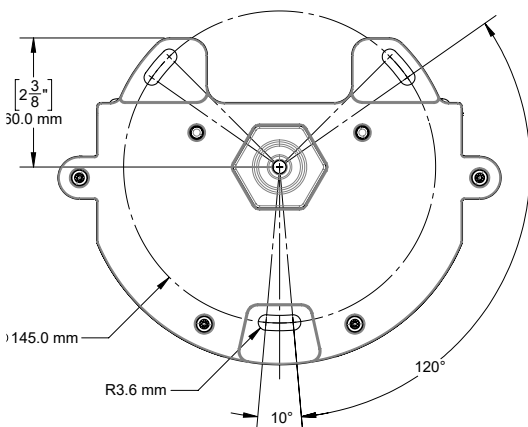
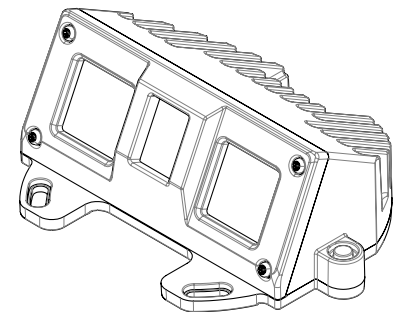
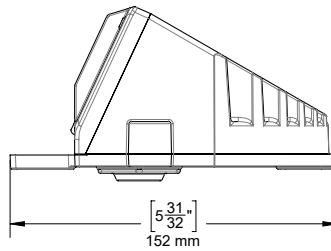
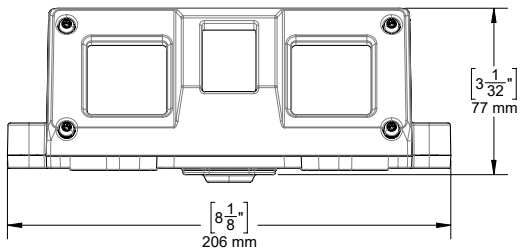
Custom autoexposure control mode to minimize motion blur



Preset customized exposure settings



True Day/Night



1.877.630.7366  
safefleet.net

SAFE  FLEET  
Driving Safety Forward™

# C8WL1PD08E Series

## Exterior License Plate Detection Camera

Mechanical/General	
Exterior Dimensions	8.11" x 5.98" x 3.03" (206mm x 152mm x 77mm)
Weight	3.09 lbs (1.4 Kgs)
Ingress Protection Rating	IP67, IP66
Impact Protection Rating	IK10
Durability Rating	MIL-STD-202G, MIL-STD810G
Hazardous Substances Compliance	RoHS
Lens	
Sensor Size	1/1.8 inch
Lens Focal Length / F no	9.05mm / F2.6
Camera FOV	HFOV: 47° VFOV: 27.1°
Shutter Speed	Auto / Manual (1/15* ~ 1/32000)
Lighting Performance	
Day / Night	True Day/Night (Electro-mechanical IR cut filter). Ambient light sensor circuit tuned for higher light level transition for higher operating shutter speeds.
IR LEDs	8 High Power LEDs (940nm)
Environmental	
Operation Temperature	-4°F to +122°F (-20°C to +50°C)
Video	
Video Compression	H.264 (MP,HP), H.265 (MP), MJPEG
Max frame rate	30FPS (default 15FPS)
Maximum Resolution	3840(H) x 2160(V)
Network	
Bitrate Control / Bitrate Range	CBR, VBR / 100kbps to 25Mbps
Interoperability	ONVIF
Maximum Power	POE IEEE 802.3af Class 3 (x2) Camera: 9.6W IR LEDs: 13W

### Ordering Information

Part Number	Description
C8WL1PD08E	Exterior IP Camera for License Plate Detections, optimized for Transit Bus Applications, 8 MP(4K), 9.05mm Lens, TDN with IR LED's
C8WL1PD08E-SB-FF	Exterior IP Camera for License Plate Detections, optimized for School Bus Applications, 8 MP(4K), Forward Facing Orientation, 9.05mm Lens, TDN with IR LED's
C8WL1PD08E-SB-RF	Exterior IP Camera for License Plate Detections, optimized for School Bus Applications, 8 MP(4K), Rear Facing Orientation, 9.05mm Lens, TDN with IR LED's

\* Custom autoexposure control mode to limit maximum exposure time to minimize motion blur.  
(Maximum exposure time = 1/960 second)

1422-C8WL1PD08E-SS-SF-022024

Copyright ©2024 Safe Fleet and its subsidiaries. All rights reserved. No part of this publication may be reproduced by any means without written permission from Safe Fleet. The information in this publication is believed to be accurate. However, Safe Fleet does not make any representation or warranty to that effect and does not assume responsibility for any consequences resulting from use of such information. Revisions or new editions of the publication may be issued (or not issued) in our discretion to incorporate such changes.

1.877.630.7366  
safefleet.net

SAFE  FLEET  
Driving Safety Forward™