

C8Q2PD Series

Ultra High Definition Forward Facing IP Camera

True day/night dome camera with built-in microphone for mobile video surveillance.

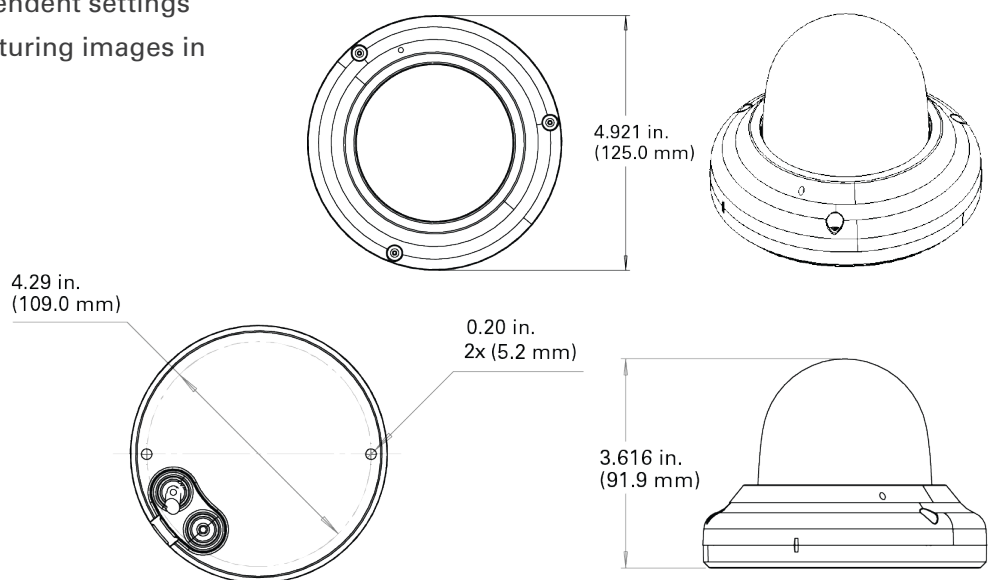
The C8Q2PD Series Dome Camera is the ideal choice for providing ultra high definition images for forward facing applications. The dome camera comes with a built-in microphone, and PoE power to simplify installations. Tri-streaming capability allows users to easily configure and optimize bandwidth and storage settings according to needs. Users can configure the camera to generate two separate H.265 streams simultaneously.



- Up to 8.0MP (4K) resolution
- Advanced video compression technologies with tri-streaming capability with independent settings
- True day/night functionality for capturing images in various lighting scenarios
- Built-in microphone
- Simplify the installation with PoE
- IP67 rating

Lens Specifications

Code	Size (mm)	F-stop	Viewing Angle (v)	Viewing Angle (h)
03	4.27*	F1.6	59.1° (16:9)	106.5° (16:9)



1.877.630.7366
safefleet.net

SAFE  FLEET
Driving Safety Forward™

C8Q2PD Series

Ultra High Definition Forward Facing IP Camera

Camera	
Sensor	8Mpx 1/1.8" Progressive Scan CMOS
IP Compression/Standard	H.265/H.264/MJPEG
Maximum Resolution	8MP (4K) (3840 x 2160)
Resolution	Primary: 3840x2160, 2560x1440, 1920x1080, 1280x720
	Secondary: 640x480, 640x360, 352x,288 352x240
	Third stream (MJPEG): 640x480, 640x360, 352x,288 352x240
Frame Rate	1 FPS ~ 30 FPS (max. 15 FPS with WDR enabled)
S/N Ratio	50dB
Electronic Shutter	1/15s ~ 1/32000s
Regulatory	FCC, CE, EN50155, SAE J1455, Prop65, RoHS, WEEE
Lighting Performance	
Wide Dynamic Range	True WDR, 120dB
Digital Noise Reduction	3D
Day/Night	Electro-mechanical IR cut filter with auto switch
White Balance	Yes, Auto
Active Gain Control	Yes, Auto
Color Sensitivity	0.01 lux at 50 IRE (F1.6, AGC on)
B/W Sensitivity	0 Lux (IR on)
IR Range	Up to 70ft.
Housing	
Camera Type	Dome Camera
Ingress Protection Ratings	IP67
Impact Protection Rating	IK10
Lens	
Type	Fixed Focal Length
Focal Length	4.27* mm
Power	
Power Consumption	PoE Power Source: 9.6W, maximum
PoE Standard	PoE (802.3af Class 3)
Network	
Bitrate Control	CBR (H.264/H.265: 1Mbps ~ 25Mbps) VBR, MJPEG
Network Protocols	TCP/IP, UDP, AutoIP, RTP(UDP/TCP), RTSP, NTP, HTTP, HTTPS, SSL, DNS, DDNS, DHCP, FTP, SMTP, ICMP, SNMPv1/v2/v3(MIB-2)
ONVIF Compliance	ONVIF (Profile S), test tool 19.06 rev. 5170

Audio	
Compression Format	G.711 u-law
Built-in MIC	
Mechanical/Environmental	
Dimensions	125mm x 125mm x 92mm
Weight	1.15 lbs (520g)
Operating Temperature	-20°C to +50°C (-4°F to 122°F)
Adjustability	3-axis gimbal
PoE & IP Video/Audio	RJ45
Ordering Information	
C8Q2PD03AF-FF20	Forward-Facing IP Camera, PoE, dome, white, 8MP (4K), 4.27 mm lens size, interior, audio, includes forward facing bracket, adapter plate and 20 ft. harness - to use with TH8, NH16K and NH16 DVRs.



Camera shown with adapter plate and FF bracket

* equivalent image characteristics when using a 2.8 mm lens with a 1/3" sensor

1138-SF-C8Q2PD-SS-ST-101620

Copyright ©2020 Safe Fleet and its subsidiaries. All rights reserved. No part of this publication may be reproduced by any means without written permission from Safe Fleet. The information in this publication is believed to be accurate. However, Safe Fleet does not make any representation or warranty to that effect and does not assume responsibility for any consequences resulting from use of such information. Revisions or new editions of the publication may be issued (or not issued) in our discretion to incorporate such changes.

1.877.630.7366
safefleet.net

SAFE FLEET
Driving Safety Forward™