

C3W9PD Series

High Definition Exterior IP Camera

Impact resistant true day/night camera for mobile video surveillance.

With an IP68/IK10 rating and a built-in heater, the C3W9PD Series External IP Camera is ideally suited for exterior vehicle applications. The camera is impact resistant with PoE power to simplify installations. It is equipped with day/night capabilities, and responds quickly to changes in light levels, ensuring high image quality even in the most challenging environments.

Progressive scan allows the camera to capture moving objects while minimizing distortion, while H.265 compression greatly optimizes bandwidth and storage without compromising image quality.



Works with DH6*, DH8*, TH8*, NH16k and NH16 Recorders

*48V DC PoE Injector required (PN TH8POEKIT48)

Key Features



3.0MP resolution



True day/night functionality and infrared illuminators for capturing images in various lighting scenarios



Low-profile, rugged design



Tilt/pan/rotate gimbal adjustment



Simplify the installation with PoE



IP68 and IK10 rating



Advanced video compression technologies with tri-streaming capability accommodates multiple settings



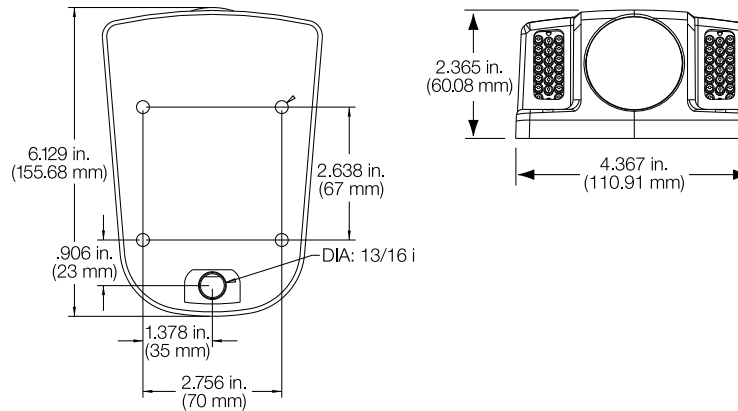
Separate analog video output for live viewing on a driver-assist or public display monitor

1.877.630.7366
safefleet.net

SAFE  FLEET
Driving Safety Forward™

C3W9PD Series

High Definition Exterior IP Camera



Camera	
Sensor	3Mpx 1/2.8" Progressive Scan CMOS
IP Compression/Standard	H.265/H.264/MJPEG
Maximum Resolution	3MP (2048x1536)
Resolution	IP: 2048x1536, 1920x1080, 1280x960, 1280x720, 800x600, 640x480, 640x360, 320x240, 320x180 Analog: 500 TVL
Frame Rate	1 FPS ~ 30 FPS
S/N Ratio	50dB
Electronic Shutter	1s ~ 1/10000s
Regulatory	FCC, EN50155, SAE J1455, Prop65, RoHS, WEEE
Lighting Performance	
Wide Dynamic Range	True WDR, 120dB
Digital Noise Reduction	3D
Day/Night	Electro-mechanical IR cut filter with auto switch
White Balance	Yes, Auto (ATW 2500K ~ 10000K)
Active Gain Control	Yes, Auto
Color Sensitivity	0.1 lux at 50 IRE (F2.0, AGC on)
B/W Sensitivity	0 Lux (IR on)
IR Range	Up to 15m, Smart IR
Housing	
Camera Type	Exterior Wedge Camera
Ratings	IP68 & IK10
Outdoor	Yes
Vandal Resistant	Yes
Lens	
Type	Fixed Focal Length
Focal Length	2.8, 4.0 mm
Power	
Power Consumption	9W, maximum
PoE Standard	PoE (802.3af Class 0)

Network				
Bitrate Control	CBR/CVBR (H.264: 64~20000bps, H.265 : 64~8000bps) VBR, MJPEG			
Network Protocols	ARP, Bonjour, DHCP, DDNS, DNS, FTP, HTTP, HTTPS, HLS, ICMP, IGMP, IPv4/6, LDAP, NTP, RTSP/RTCP/RTP, RTMP, QoS, SMTP, SNMP v1/2c/3, TCP, TLS/TTLS, UDP, UPnP, 802.1X, PPPoE			
ONVIF Compliance	Profile S/G/Q, test tool 18.12			
Mechanical/Environmental				
Weight	2.1 lbs (954g)			
Operating Temperature	-40°C to +65°C (-40°F to 149°F)			
Adjustability	3-axis gimbal			
Brush Guard	2.5" height (standard, included), 3" (optional)			
Ordering Information				
C3W9PD03E	Exterior Camera, 3MP, IP/Analog, True D/N, IR, 2.8mm lens, PoE, White			
C3W9PD04E	Exterior Camera, 3MP, IP/Analog, True D/N, IR, 4.0mm lens, PoE, White			
Available Lenses				
Code	Size (mm)	F-stop	Viewing Angle (v)	Viewing Angle (h)
03	2.8	F2.0	76° (4:3), 58° (16:9)	102° (4:3 & 16:9)
04	4.0	F2.0	56° (4:3), 42° (16:9)	76° (4:3 & 16:9)

Adding the suffix XX to the part number represents inclusion of a CAT6 camera harness with the corresponding lengths as follows:
 20 = 20 ft
 50 = 50 ft
 75 = 75 ft

1359-C3W9PD-SS-ST-122123

Copyright ©2023 Safe Fleet and its subsidiaries. All rights reserved. No part of this publication may be reproduced by any means without written permission from Safe Fleet. The information in this publication is believed to be accurate. However, Safe Fleet does not make any representation or warranty to that effect and does not assume responsibility for any consequences resulting from use of such information. Revisions or new editions of the publication may be issued (or not issued) in our discretion to incorporate such changes.

1.877.630.7366
safefleet.net

SAFE FLEET
Driving Safety Forward™