

# C3Q9PD Series

## High Definition Interior IP Camera

True day/night mini-dome camera with built-in microphone for mobile video surveillance.

The C3Q9PD Series Mini-Dome Camera is the ideal choice for providing high-definition images in interior vehicle applications. The mini-dome camera comes with flexible lens options, built-in microphone, and PoE power to simplify installations. The camera offers true day/night functionality and built-in infrared illuminators to capture images in low light scenarios to ensure high image quality even in the most challenging environments. Tri-streaming capability allows users to easily configure and optimize bandwidth and storage settings according to needs. Users can configure the camera to generate up to three separate H.265 streams simultaneously.



Works with DH6\*, DH8\*, TH8\*, NH16k and NH16 Recorders

\*48V DC PoE Injector required (PN TH8POEKIT48)

### Key Features



Up to 3.0MP resolution



True day/night functionality and built-in infrared illuminators for capturing images in various lighting scenarios



Low-profile, rugged design



Simultaneous analog and IP video outputs



Built-in microphone



IP54 and IK07 rating



Advanced video compression technologies with tri-streaming capability with independent settings



Simplify the installation with PoE



Separate analog video output for live viewing on a driver-assist or public display monitor

1.877.630.7366  
safefleet.net

SAFE  FLEET  
Driving Safety Forward™

# C3Q9PD Series

## High Definition Interior IP Camera

Camera	
<b>Sensor</b>	3Mpx 1/2.8" Progressive Scan CMOS
<b>IP Compression/Standard</b>	H.265/H.264/MJPEG
<b>Maximum Resolution</b>	3MP (2048x1536)
<b>Resolution</b>	IP: 2048x1536, 1920x1080, 1280x960, 1280x720, 800x600, 640x480, 640x360, 320x240, 320x180 Analog: 500 TVL
<b>Frame Rate</b>	1 FPS ~ 30 FPS
<b>S/N Ratio</b>	50dB
<b>Electronic Shutter</b>	1s ~ 1/10000s
<b>Regulatory</b>	FCC, EN50155, SAE J1455, Prop65, RoHS, WEEE
Lighting Performance	
<b>Wide Dynamic Range</b>	True WDR, 120dB
<b>Digital Noise Reduction</b>	3D
<b>Day/Night</b>	Electro-mechanical IR cut filter with auto switch
<b>White Balance</b>	Yes, Auto (ATW 2500K ~ 10000K)
<b>Active Gain Control</b>	Yes, Auto
<b>Color Sensitivity</b>	0.1 lux at 50 IRE (F2.0, AGC on)
<b>B/W Sensitivity</b>	0 Lux (IR on)
<b>IR Range</b>	Up to 10m, Smart IR
Housing	
<b>Camera Type</b>	Low Profile Dome Camera
<b>Ratings</b>	IP54 & IK07
<b>Vandal Resistant</b>	Yes
Lens	
<b>Type</b>	Fixed Focal Length
<b>Focal Length</b>	2.8, 4.0 mm
Power	
<b>Power Consumption</b>	5.5W, maximum
<b>PoE Standard</b>	PoE (802.3af Class 2)
Network	
<b>Bitrate Control</b>	CBR/CVBR (H.264: 64~20000kbps, H.265 : 64~8000kbps) VBR, MJPEG
<b>Network Protocols</b>	ARP, Bonjour, DHCP, DDNS, DNS, FTP, HTTP, HTTPS, HLS, ICMP, IGMP, IPv4/6, LDAP, NTP, RTSP/RTCP/RTP, RTMP, QoS, SMTP, SNMP v1/2c/3, TCP, TLS/TTLS, UDP, UPnP, 802.1X, PPPoE
<b>ONVIF Compliance</b>	ONVIF (Profile S/G/Q), test tool 18.12

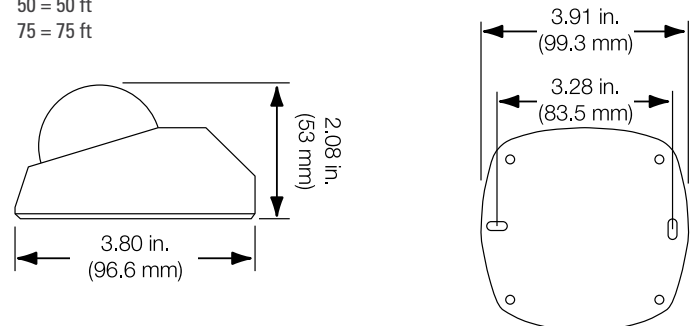
Audio	
<b>Compression Format</b>	G.711 (u-law, a-law)
<b>Built-in MIC</b>	
Mechanical/Environmental	
<b>Dimensions</b>	99 × 97 × 53mm
<b>Weight</b>	0.93 lbs (422g)
<b>Operating Temperature</b>	-20°C to +60°C (-4°F to 140°F)
<b>Adjustability</b>	3-axis gimbal
<b>PoE &amp; IP Audio</b>	RJ45
Ordering Information	

<b>C3Q9PD03A</b>	Mini Dome Interior Camera /w Audio, 3MP, IP/Analog, True D/N, IR, 2.8mm lens, PoE, White
<b>C3Q9PD03A-BK</b>	Mini Dome Interior Camera /w Audio, 3MP, IP/Analog, True D/N, IR, 2.8mm lens, PoE, Black
<b>C3Q9PD03AF-BK-FF</b>	Mini Dome Interior Camera /w Audio, 3MP, IP/Analog, True D/N, IR, 2.8mm lens, PoE, Black, Forward Facing Bracket
<b>C3Q9PD04A</b>	Mini Dome Interior Camera /w Audio, 3MP, IP/Analog, True D/N, IR, 4.0mm lens, PoE, White

Available Lenses				
Code	Size (mm)	F-stop	Viewing Angle (v)	Viewing Angle (h)
03	2.8	F2.0	78° (4:3), 60° (16:9)	104° (4:3 & 16:9)
04	4.0	F2.0	56° (4:3), 42° (16:9)	78° (4:3 & 16:9)

Adding the suffix XX to the part number represents inclusion of a CAT6 camera harness with the corresponding lengths as follows:

20 = 20 ft  
50 = 50 ft  
75 = 75 ft



1241-C3Q9P-SS-ST-122123

Copyright ©2023 Safe Fleet and its subsidiaries. All rights reserved. No part of this publication may be reproduced by any means without written permission from Safe Fleet. The information in this publication is believed to be accurate. However, Safe Fleet does not make any representation or warranty to that effect and does not assume responsibility for any consequences resulting from use of such information. Revisions or new editions of the publication may be issued (or not issued) in our discretion to incorporate such changes.

1.877.630.7366  
safefleet.net

SAFE FLEET  
Driving Safety Forward™