

7" AHD Quad Driver Assist Monitor

Increase driver awareness and passenger safety

Suitable for a wide range of applications, this high resolution monitor ensures drivers see clear images from all camera inputs for optimum security and operator confidence.

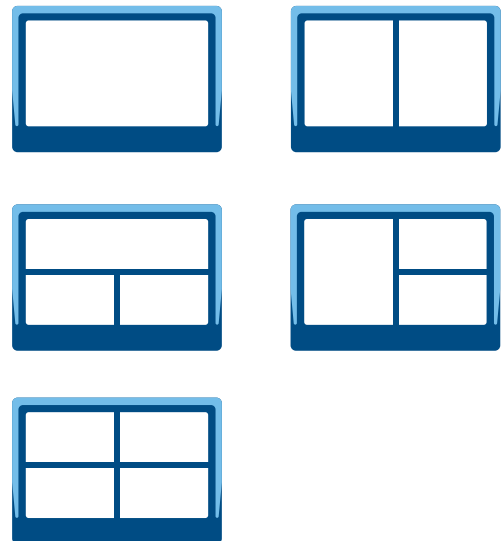
This 7" Driver Assist Monitor supports up to four camera inputs and displays either a configurable default view or specific views based on triggers. Highly configurable, the monitor provides the ability to adjust the camera view sequence, trigger sources, a distance gauge and day/night settings as well as picture adjustments to name a few. Looping video inputs and loop-through audio* is supported on all four channels. The monitor is also capable of supplying power to all four channels at up to 500mA per channel (12V DC).



Monitor shown with optional Articulated Surface-Mount Bracket

- Advanced OSD menu for easy use
- Four looping video inputs (supports auto-detection of a mix of SD Analog, AHD 720P and AHD 1080P signals)
- Supports single/dual/triple/quad screen display views
- Four trigger inputs
- Auto day and night brightness control via an ambient light sensor
- Auto power ON when vehicle turns or reverses
- Professional metal case ensures performance even in the most demanding environments

Monitor Display View Options:



* Loop through audio supported only with model featuring 2x3 MicroFit connectors

7" AHD Quad Driver Assist Monitor

Increase driver awareness and passenger safety

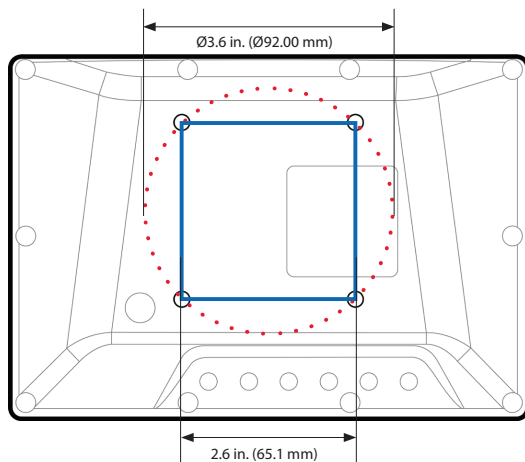
Specifications	
Viewing Angle	85°, both horizontal and vertical
Response Time	24 ms Max
Menu Access	OSD via rear panel push buttons
Resolution	800 x 480 pixels
Contrast ratio	640:1(minimum); 800:1 (typical)
Brightness	Up to 400nits (with user adjustable setting)
Screen size	7 inch (diagonal)
Lockable Rear Panel Buttons	Yes
Auto-restart After Power Loss	Yes
Loop-Through Video Connectors	4 sets of BNC or 2x3 Microfit (support for Standard Definition Analog compliant video signals)
Enclosure	Metal
IP Rating	IP41

Mounting
Use included U-Bracket Mount, optional Articulated Surface-Mount Bracket, or find a suitable mount that meets the provided hole pattern on the back of the monitor

Power	
Input Power	DC9.0V ~DC33.6V
Power Consumption	40 W Max.
Power output for each camera	12 V / 0.5 A x 4

Dimensions	
Dimension (WxHxD)	7.5 x 5.25 x 1.3 inches (192 x 133 x 33 mm)

Monitor Weight (excludes cabling, sunshade, bracket)	2 lbs (0.9 kg)
---	----------------



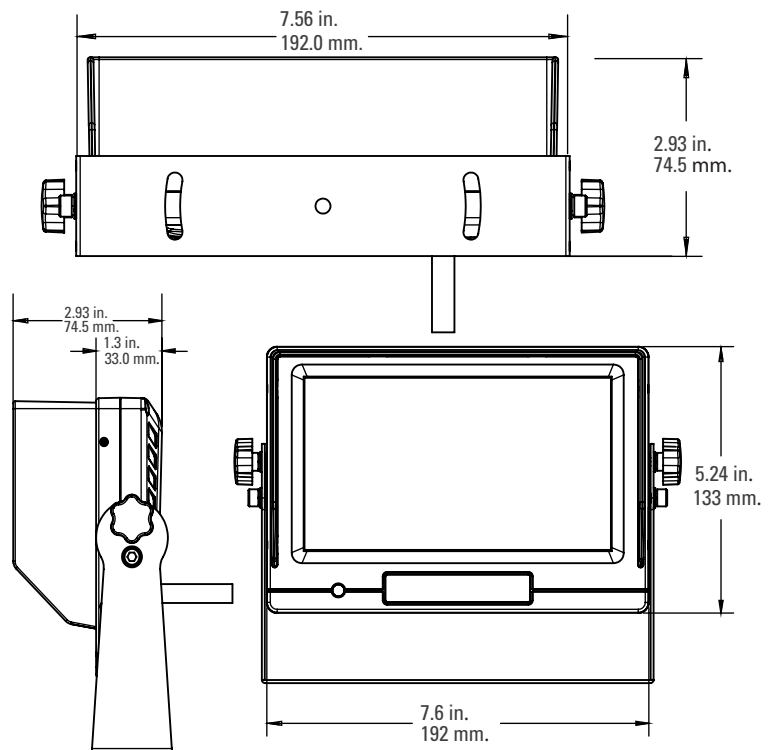
Mounting Holes Dimensions and Positions

Environmental	
Operating temperature	14°F to 158°F (-10°C to 70°C)
Storage temperature	-40°F to 185°F (-40°C to 85°C)
Humidity	15% to 95% RH

Ordering Information	
DAM-1-07-BNC	Rear Vision LCD Monitor, 7" Display, Four Trigger Inputs, Four Looping Video Inputs (SD Analog, AHD 720P, and AHD 1080P Supported), Harness Supports BNC Connectors, Includes U-Bracket Mount and Sunshade

DAM-1-07-MF	Rear Vision LCD Monitor, 7" Display, Four Trigger Inputs, Four Looping Video Inputs (SD Analog, AHD 720P, and AHD 1080P Supported), Harness Supports 2x3 MicroFit Connectors, Includes U-Bracket Mount and Sunshade
--------------------	---

ASB-01-1	Articulated Surface-Mount Bracket for LCD Monitors - compatible with DAM-1-07-x and MVQ-MISC-MON10
-----------------	--



1187-7-AHD-Quad-Driver-Assist-SS-TR-031721

Copyright ©2020 Safe Fleet and its subsidiaries. All rights reserved. No part of this publication may be reproduced by any means without written permission from Safe Fleet. The information in this publication is believed to be accurate. However, Safe Fleet does not make any representation or warranty to that effect and does not assume responsibility for any consequences resulting from use of such information. Revisions or new editions of the publication may be issued (or not issued) in our discretion to incorporate such changes.

1.877.630.7366
safefleet.net

SAFE FLEET
Driving Safety Forward™