

# Rugged Public Display Monitor

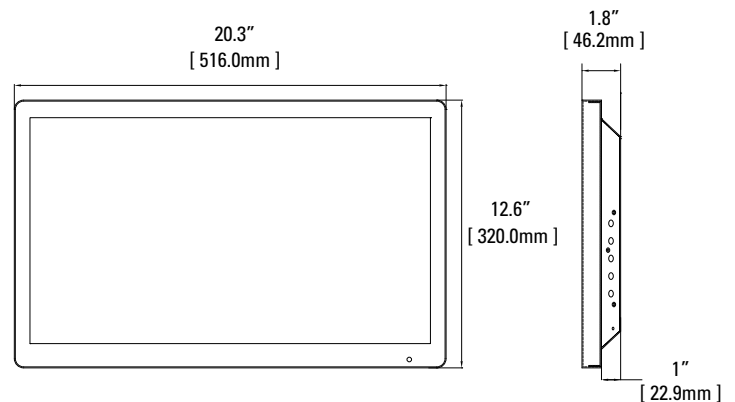
## 21.5" High Definition Industrial grade Color LCD Monitor

The perfect component to compliment an infotainment solution for increased revenue stream ability, and improve customer experience.

Multiple video inputs can support either a media player or a camera system. A field-replaceable integrated vandal proof cover provides added security and protection of investment.



| System                        |   |
|-------------------------------|---|
| Resolution                    | 1920 x 1080   |
| Viewable Area                 | 18.74" (W) x 10.54 (H) (476.064 x 267.786mm)          |
| Pixel Pitch                   | 247.95um (per one triad) x247.95um                    |
| Display colors                | 16.7M   |
| Aspect Ratio                  | 16:9  |
| Brightness                    | 350 nits*   |
| Contrast Ratio                | 1000:1  |
| Viewing angle                 | 178° (H) x 178°(V)                                    |
| Response Time                 | 10 ms Trf   |
| Control                       | OSD via Rear Panel push buttons                       |
| Lockable Rear Panel Buttons   | Yes   |
| Auto Restart after Power loss | Yes   |
| Video Connectors              | HDMI, VGA, Composite NTSC (Loop-Through), 2 Sets      |
| Power Requirement             | 9 - 36V   |
| Power Consumption             | 21W   |
| Enclosure                     | Steel   |
| Mounting                      | 100 x 100 Rear Vesa Mount Holes                       |
| Operating Temp                | +32°F to +122°F (0 to 50°C)                           |
| Storage Temp                  | -4°F to +140°F (-20°C to +60°C)                       |
| Humidity                      | ≤90%  |
| Dimensions                    | 20.3" (W) x 12.6" (H) x 1.8" (D) (516 x 320 x 45.6mm) |
| Weight                        | 11.91 lbs (5.4 kgs)                                   |
| Ingress Protection Rating     | IP65  |
| Impact Rating                 | IK07  |



### Ordering Information

|                |  |
|----------------|--|
| MVQ-DS215-KIT  | LCD Monitor Kit - Includes 21.5" LCD monitor, Pre-inserted protective glass cover, wall-mounting bracket, 5' VGA cable and 5' HDMI cable |
| MVQ-DS215-COVR | Spare protective glass cover, MVQ-DS215 21.5" LCD Monitor  |

\*not factoring in effect of protective glass cover

1091-21.5-LCD-MONITOR-SS-TR-011822

Copyright ©2019 Safe Fleet and its subsidiaries. All rights reserved. No part of this publication may be reproduced by any means without written permission from Safe Fleet. The information in this publication is believed to be accurate. However, Safe Fleet does not make any representation or warranty to that effect and does not assume responsibility for any consequences resulting from use of such information. Revisions or new editions of the publication may be issued (or not issued) in our discretion to incorporate such changes.

1.877.630.7366  
safefleet.net

SAFE FLEET  
Driving Safety Forward™